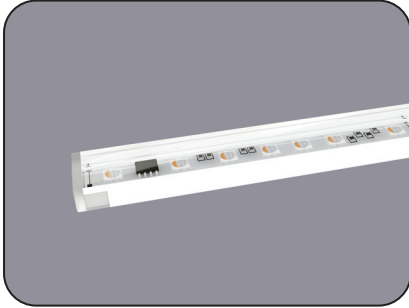
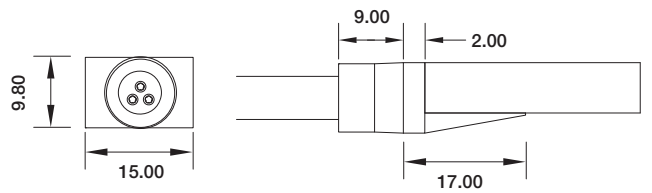


SP01 Configuration and Accessories

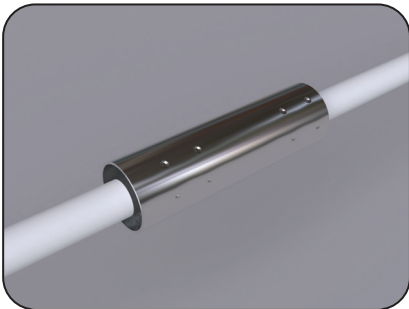
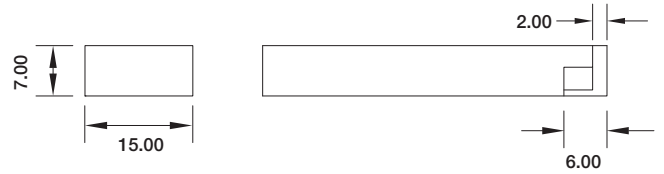
Mold Injection Connector (IP68 Factory Assembly Only)



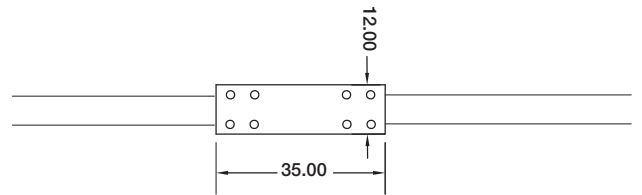
Direct Entry Connector
MJ-SP01-D3-D02SM
MJ-SP01-D3-D03SFM



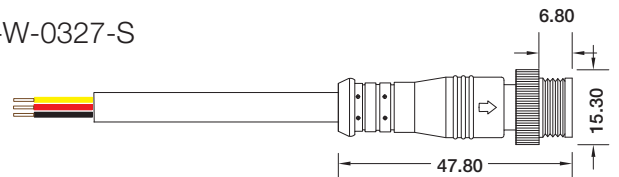
End Cap



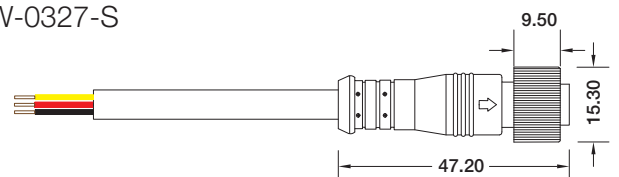
Waterproof Interrupter



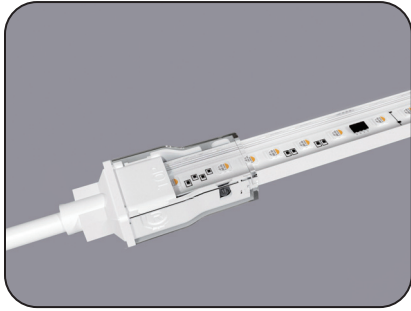
Male Connector
SYZ-M12-M-3C-20AWG-D6-W-0327-S



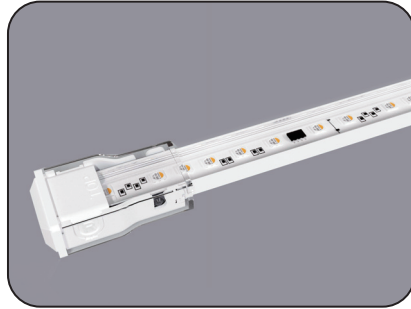
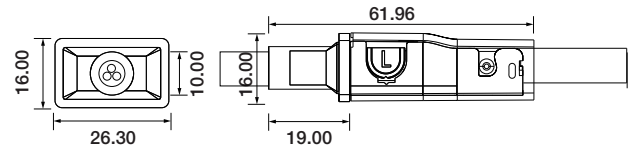
Female Connector
SYZ-M12-F-3C-20AWG-D6-W-0327-S



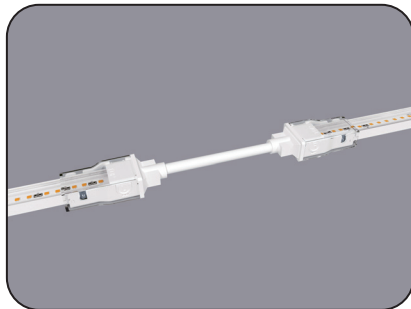
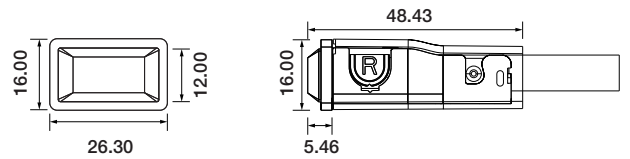
SP01 Configuration and Accessories



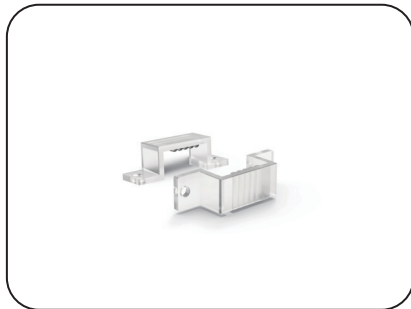
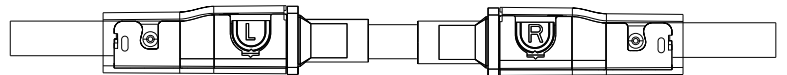
DIY Snap Connector
DIY-SN-FR-SP01-D-01/02-D3



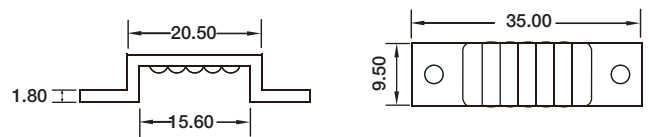
DIY Snap End Cap
DIY-SN-END-SP01-D-01/02



DIY Snap Extent Connector
DIY-SN-EXT-SP01-D3

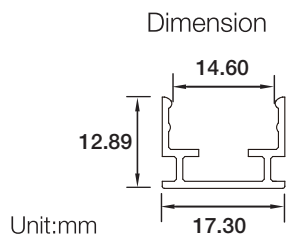


Plastic Mounting Clip
SJJ-ZSJ-006

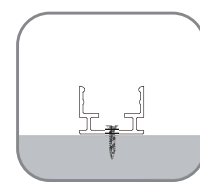
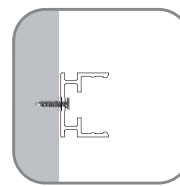


Double Coated Tissue Tape
3M-4229
3m/rolls
Width:15mm

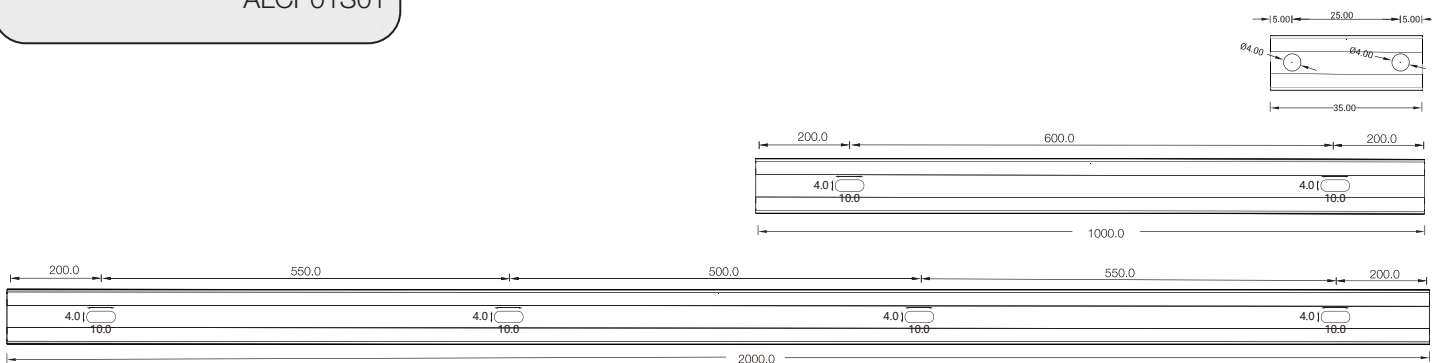
SP01 Configuration and Accessories



Installation Way



Surface Mounted



Model	W x H(mm)	Standard Length	Screw Holes	Holes Numbers	Suitable Product
ALCP01S01-035	17.30*12.89	35mm	Ø4.0mm	2	SP01
ALCP01S01-100		1000mm	4.0x10mm	2	SP01
ALCP01S01-200		2000mm	4.0x10mm	4	SP01