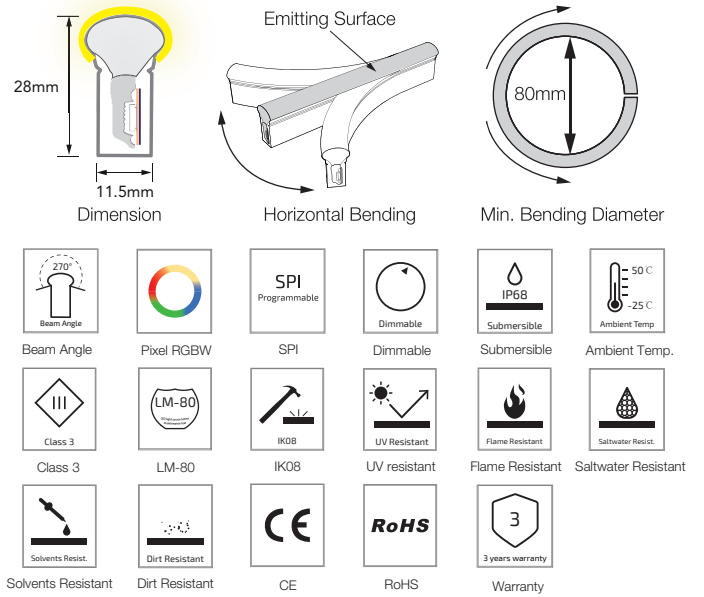
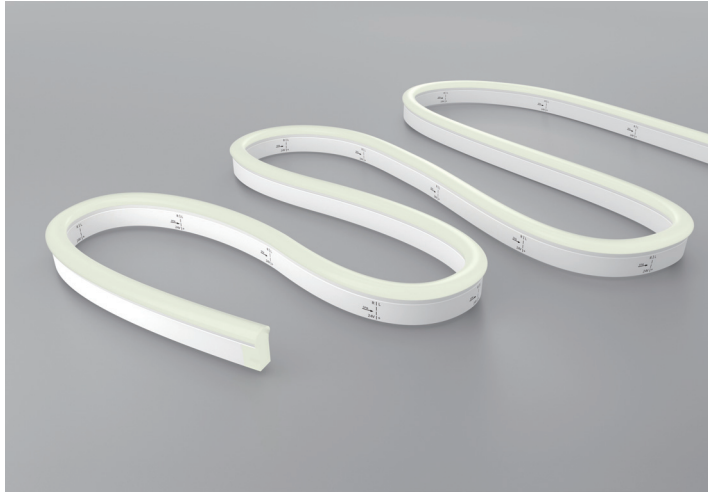


F21 SPI Pixel Chasing RGBW LED Linear Flex

F21-12V-5050-60-SPI4-RGBW

Specification



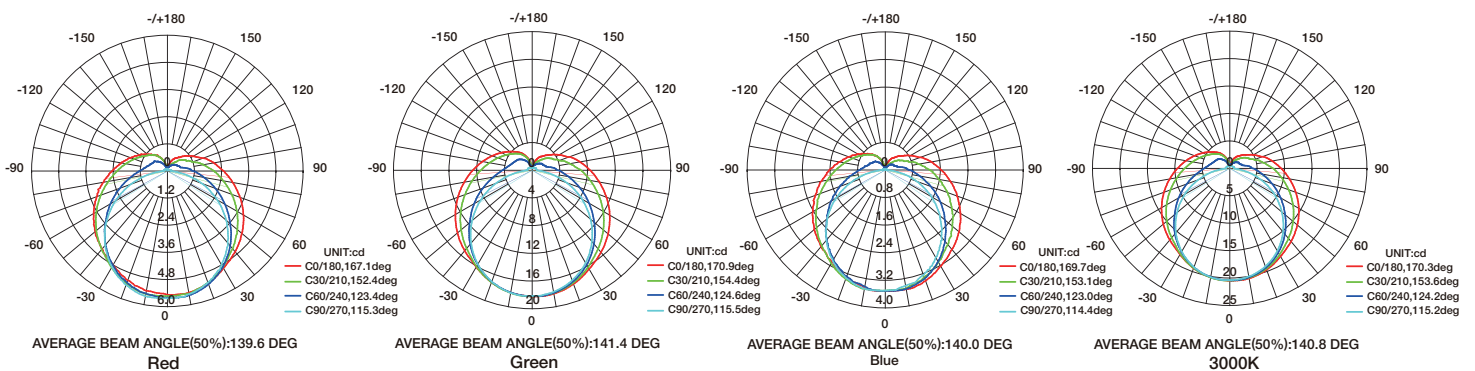
Technical Parameters

Electrical	
Input Voltage	12V DC
Power Consumption	17W/m
Physical	
LED Count	60 LEDs/m
Cutting Unit	3 LEDs
Cutting Unit Length	50mm
Minimum Bend Diameter	80mm
Output	
LED Light	Epistar SMD LED 5050
Color	RGBW(2700K/3000K/4000K/5000K)
Working Mode	SPI
Pixels Quantity	20 Pixels/m
IC Chips	UCS8904
Max Run Length*	
Single Feed	4 M
Double Feed	8 M
Beam Angle	270°
Lumen Maintenance	70,000 Hours L70 @ 25°C 50,000 Hours L70 @ 50°C

Emitting Color	Lumen Output
	Red 26lm/m
	Green 88lm/m
	Blue 16lm/m
	RGBW 233lm/m
	3000K 98lm/m

Temperature Ranges	
Installation	0°C to 50°C
Operating	-25°C to 50°C
Dependability	
Warranty	3 Years Warranty
IP Rating	IP68 Wet location submersible <2m

Illuminance Distribution



F21 SPI Pixel Chasing RGBW LED Linear Flex

