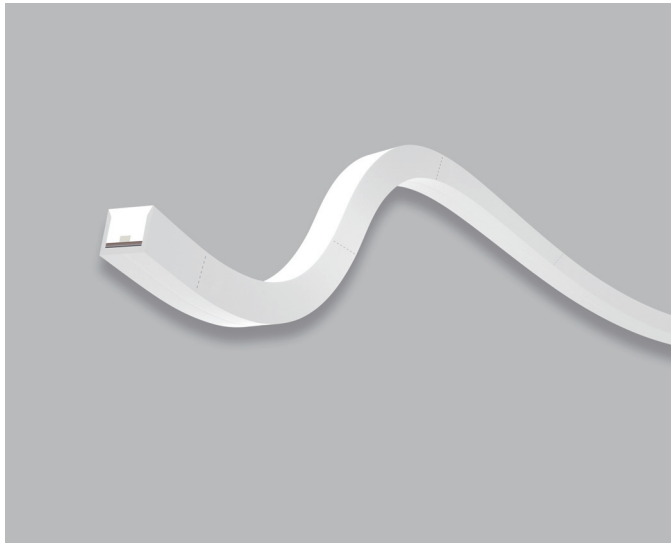


F16 Mono Color LED Linear Flex

F16-24V-2835-120-CC-2200K-6500K

Specification



Dimension

Vertical Bending

Min. Bending Diameter

Beam Angle

Ansi C78.377

4 SDCM

One Bin

Dimmable

Submersible

Ambient Temp.

Class 3

LM-80

IK08

UV Resistant

Flame Resistant

Saltwater Resistant

Solvents Resistant

Dirt Resistant

CE

RoHS

UL Listed

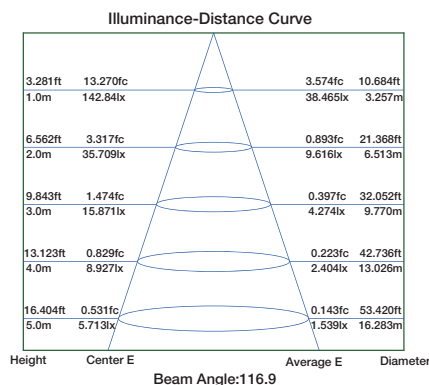
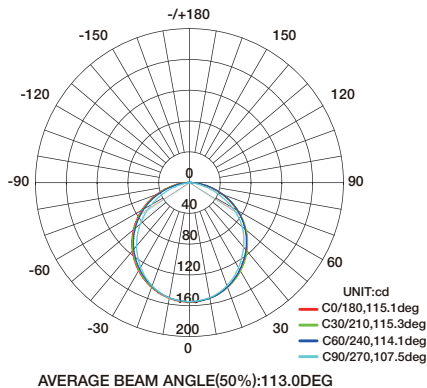
Warranty

Technical Parameters

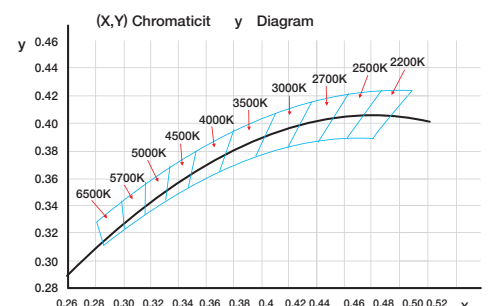
Electrical	
Input Voltage	24V DC (Built In Constant Current)
Power Consumption	10W/m
Physical	
LED Count	120 LEDs/m
Cutting Unit	6 LEDs
Cutting Unit Length	50 mm
Minimum Bend Diameter	120mm
Output	
LED Light	Epistar SMD LED 2835
CRI	>80, >90
Max Run Length*	
Single Feed	15M
Double Feed	30 M
Beam Angle	120°
Lumen Maintenance	70,000 Hours L70 @ 25°C 50,000 Hours L70 @ 50°C
Temperature Ranges	
Installation	0°C to 50°C
Operating	-25°C to 50°C
Dependability	
Warranty	3 Years Warranty
IP Rating	IP68 Wet location submersible <2m

Optional Color	Lumen Output
	2200K(2238±102K) 360lm/m
	2700K(2725±145K) 380lm/m
	3000K(3045±175K) 400lm/m
	3500K(3465±245K) 430lm/m
	4000K(3985±275K) 454lm/m
	4500K(4503±243K) 470lm/m
	5000K(5029±283K) 450lm/m
	6500K(6532±510K) 440lm/m
	Green(520-530nm) 360lm/m
	Blue (520-530nm) 67lm/m
	Lemon Yellow(620-630nm) 250lm/m
	Pink(630-645nm) 150lm/m

Illuminance Distribution

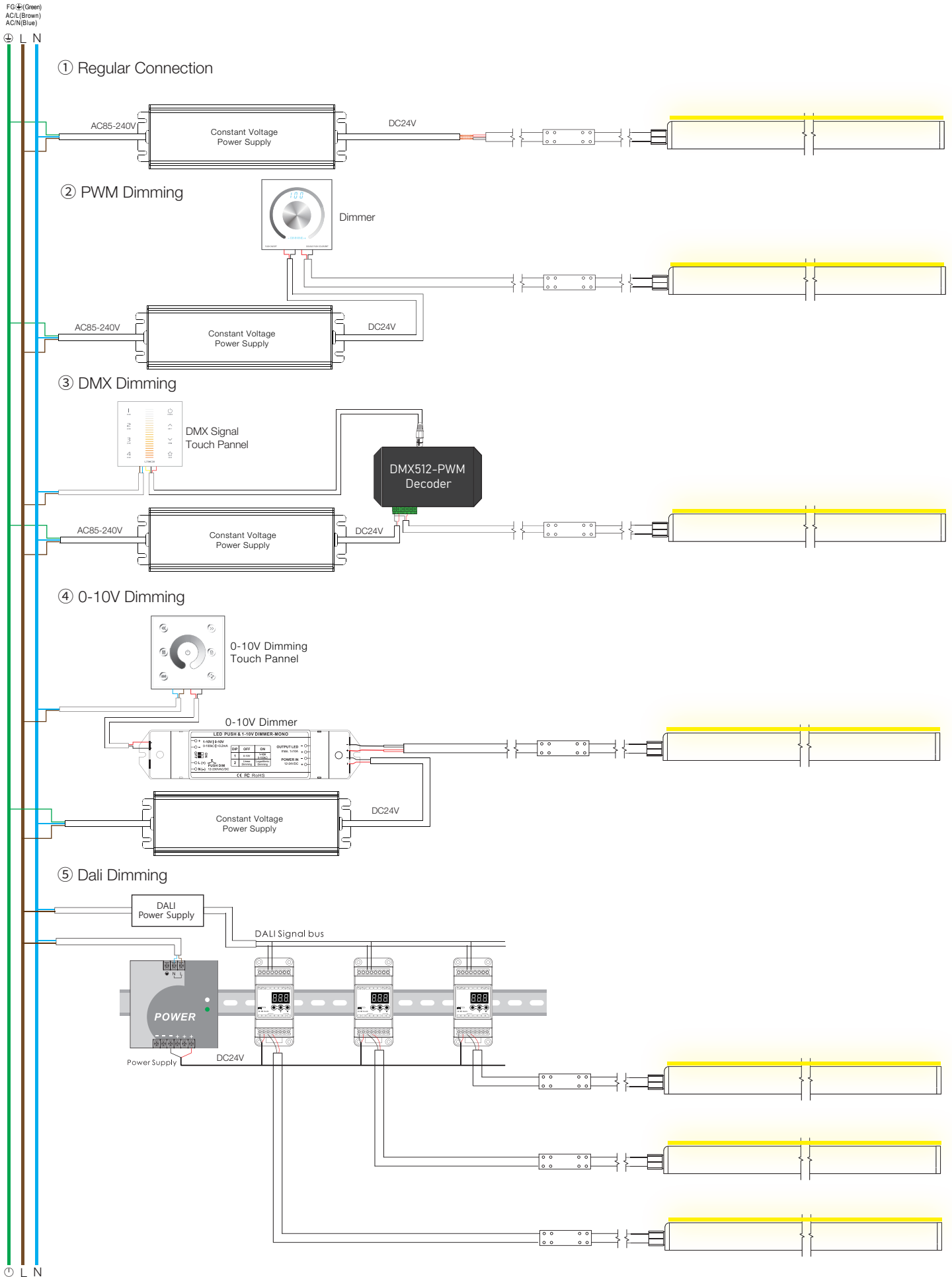


White Color Charts



F16 Mono Color LED Linear Flex

Connection



L N