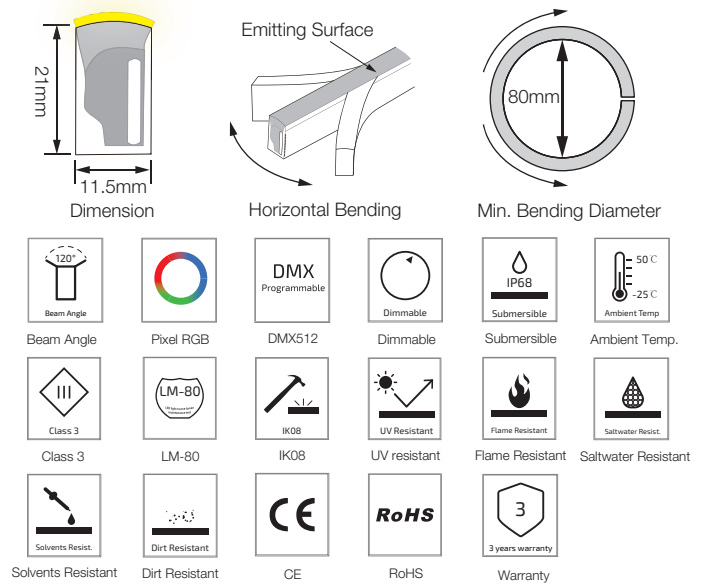
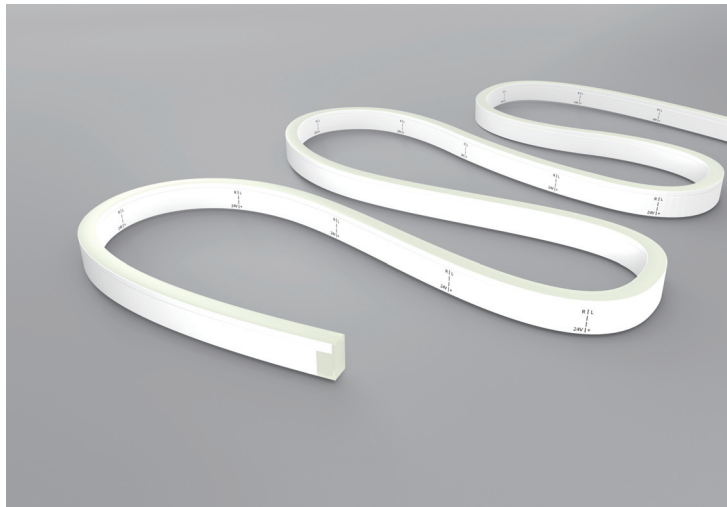


F15 DMX Pixel Chasing RGB LED Linear Flex


F15-24V-5050-70-DMX3-RGB

Specification



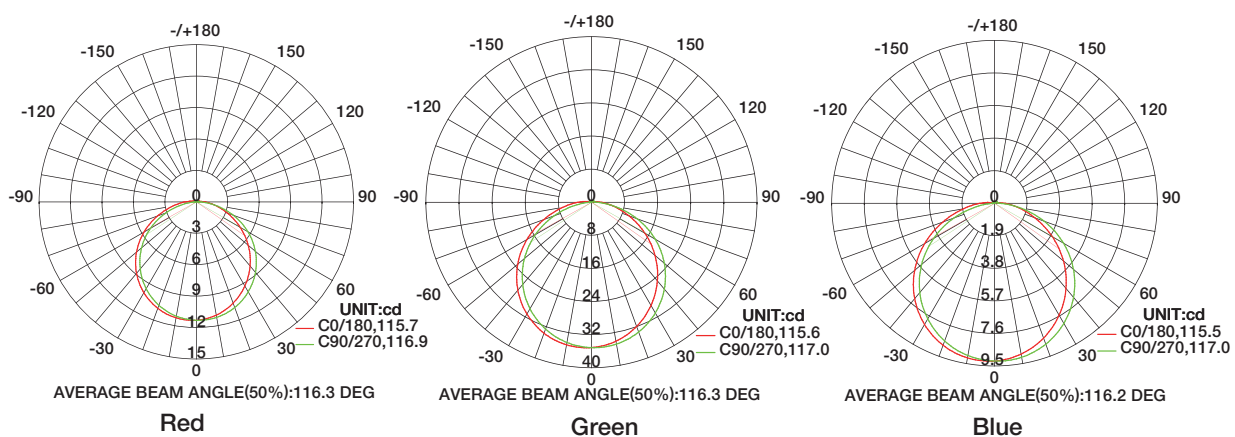
Technical Parameters

Electrical	
Input Voltage	24V DC
Power Consumption	15W/m
Physical	
LED Count	70 LEDs/m
Cutting Unit	7 LEDs
Cutting Unit Length	100mm
Minimum Bend Diameter	80mm
Output	
LED Light	Epistar SMD LED 5050
Color	RGB
Working Mode	DMX (RS485)
Pixels Quantity	10 Pixels/m
IC Chips	UCS512
Max Run Length*	
Single Feed	8M
Double Feed	16 M
Beam Angle	120°
Lumen Maintenance	70,000 Hours L70 @ 25°C 50,000 Hours L70 @ 50°C

Emitting Color	Lumen Output
 Red	40lm/m
 Green	130lm/m
 Blue	28lm/m
 RGB(White)	135lm/m

Temperature Ranges	
Installation	0°C to 50°C
Operating	-25°C to 50°C
Dependability	
Warranty	3 Years Warranty
IP Rating	IP68 Wet location submersible <2m

Illuminance Distribution



F15 DMX Pixel Chasing RGB LED Linear Flex

