

# E610P 0-10V Dimmer



FC CE RoHS

warranty  
5 years

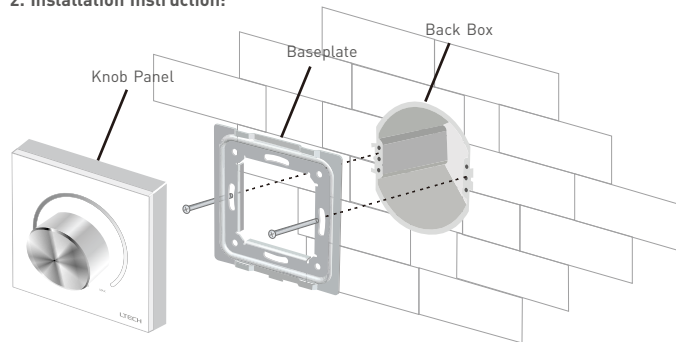


## 1. Technical Specs:

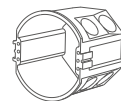
### E610P 0-10V Dimmer

Input Voltage:	100~240Vac, 50-60Hz	Working Temp.:	-10°C~35°C
Switching Power:	90~250Vac, 5A	Dimensions:	L86×W86×H50(mm)
Output:	0~10V Max. 50mA	Package Size:	L106×W106×H60(mm)
Anti surge:	≤100A / 10msec	Weight[G.W.]:	220g

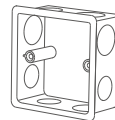
## 2. Installation Instruction:



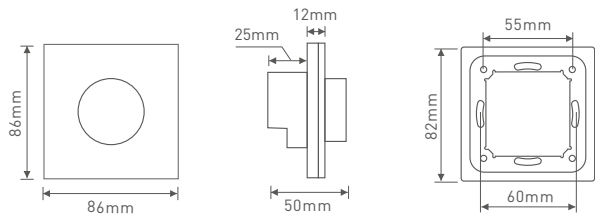
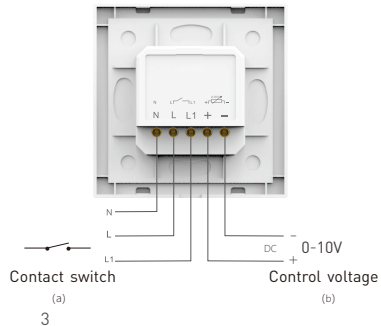
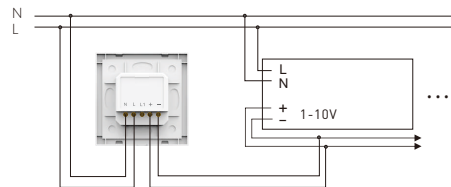
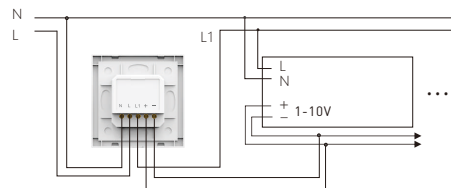
Typical back box as follow:



European style



86 size

**3. Product Size:****4. Knob Function:****5. Terminals:****6. Wiring Diagram:****6.1 Dimming****6.2 Switch connection**

\* An additional relay is needed when total input current of dimmer switch is higher than 5A or inrush current is greater than 40A. Over-loaded of relay is out of warranty.

**6.3 External relay connection**